

Two way cassette fan coil

Description

Vernal two way cassette fan coil is a compact terminal unit for hydronic heating and cooling systems. It has been designed for installation in suspended ceilings without requiring any extra part for operation. The unit has an intake grill and two way outlet with adjustable diffuser flap for changing air flow direction.

This fan coil type is therefore suited for use in environments such as houses, shops, restaurants, hotels and gyms, etc. Where the excellent out flowing air control make the ideal air conditioning.



Features:

Vernal two way cassette fan coil consists of 5 models with a wide range of capacities:

Air Flow Range: 680 - 1360 m³/hr

Cooling Capacity: 3.6 - 7.2 kW

Heating Capacity: 5.5 - 10.8 kW



AC/EC Motors

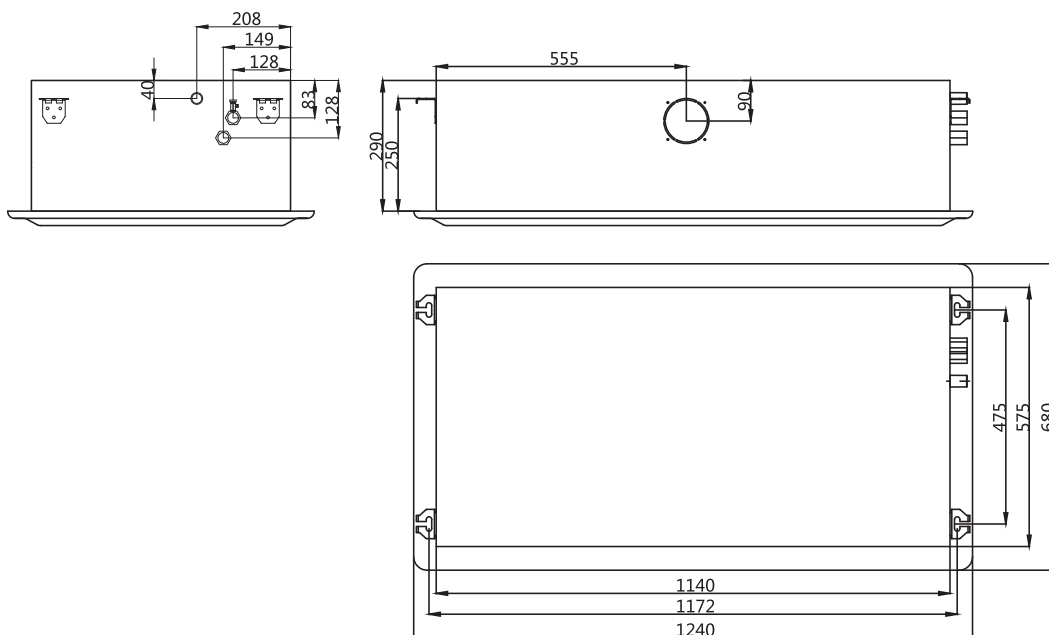


Product Description

2 way cassette FCU, ceiling mounted and suitable for chilled/hot water AC system

Air Flow	680-1360m ³ /h(400-800CFM)
Cooling Capacity	3.6-7.2KW
Panel Dimension	1240*680*30

Dimensions



Standard Specification

Aesthetic ABS panel	
Air Filter	Synthetic removable and washable
Housing	Galvanized steel with high density foam insulation inside
Heat Exchanger	Copper tube and hydrophilic AL fins with air release valve
Drain Pan	High density polystyrene foam material
Drain Pump	70cm head or 120cm head, with float switch and no return valve
Fan/Motor	Centrifugal fan, 3 speed motor or 5 speed motor or EC motor*
Control System	Main board, transformer, built-in electric control or external electric control *

* : Optional

Technical Parameters

Model			CF2-040CA	CF2-050CA	CF2-060CA	CF2-080CA	
Cooling	Cooling Capacity	H	kW	3.6	4.5	5.4	7.2
		M		2.8	3.4	4.1	5.6
		L		2.2	2.6	3.2	4.3
	Water Flow Rate		L/h	620	776	730	1245
	Water Pressure Drop		kPa	20	28	23	40
Heating	Heating Capacity	H	kW	5.5	6.8	8.0	10.8
		M		4.2	5.2	6.2	8.2
		L		3.2	4.0	4.8	6.4
Blower	Type		Centrifugalfan				
	Dia.		mm	Φ142	Φ155	Φ155	SYP150/200J
	Qty.			2	2	2	2
Electric Parameter	Power Supply		V/Ph/Hz	220/ 1 / 50 (60)			
	Input Power		W	64	100	110	130
	Curnet		A	0.29	0.46	0.51	0.6
Air Flow		H	m3/h	680	850	1020	1360
		M		520	640	765	1050
		L		400	490	600	800
Sound Pressure		dB(A)	42	43	45	46	
Control Mode			Remote control or wired wall pad				
Housing Dim. (LxWxH)		mm	1140x575x290				
Panel Dim.(LxWxH)		mm	1240x680x30				
Net Weight		kg	32	32	34	34	
Water Connection	In		in	ZG3/4"			
	Out		in	ZG3/4"			
	Drain PipeOD		mm	26			

Test Condition:

Cooling: inlet dry ball temp. 27°C, wet ball temp. 19.5°C, inlet water temp. 7°C, outlet water temp.12°C

Heating: inlet dry ball temp. 21°C, inlet water temp. 60°C, same water flow as cooling