

TH-2W Fan Coil Thermostat

Package Contents:

- TH-2W thermostat: 1 unit
- Installation Guide: 1 set
- Screws & Anchors: 1 set

Product Overview

TH-2W fan coil thermostats are designed to efficiently control all kind 2 pipe fancoil systems with universal system compatibility and precise control. With easy one touch button to run Comfort, Economy and Away mode temperature setting.

TH-2W is an ideal for application in one-stage of heating and cooling system.

Specifications

- Power Supplies:
200-240Vac 50~60HZ (TH-1312-2L1CF)
- Contact Rating:5 (3)A/250V(TH-1312-2L1CF)
- Temperature Display Range:
Celsius: 0°C ~ 50°C
Fahrenheit: 32°F ~ 122°F
- Temperature Display Resolution:0.1°C/0.5°F
- Temperature Control Range:
HEAT : 5°C~34°C(41°F~93°F)
COOL : 6°C~35°C(43°F~95°F)
- COOL Temp. Setpoint(Csp)
≥ HEAT Temp. Setpoint(Hsp) +1°C(2°F)
- Temperature Defaults:
Comfort: HEAT: 21°C (70°F)
COOL: 23°C (75°F)
Economy: HEAT: 14°C (57°F)
COOL: 26°C (79°F)
Away: HEAT: 16°C (60°F)
COOL: 29°C (85°F)
- Temperature adjustment scale:
0.5°C / (1°F)/step
- Selectable Switching Differential (hysteresis):
Celsius: 0.2~1.0°C
Fahrenheit: 1.0~4.0°F
Default: 0.4°C/1°F
- Temperature Sensor: NTC 10K Ohm @ 25°C
- Sampling Resolution: 1 minuteinterval

Key description

	Shortcut to the setpoint under Economy mode.
	Shortcut to the setpoint under Away mode.
	Shortcut to the setpoint under Comfort mode.
	Set the system into Stand-by mode.
	Press the key to increase the value.
	Press the key to reduce the value.
	Press the key to select heating, cooling and off
	Press the key to set Fan On (Select the fan speed to Low, Med, or High level)/ Fan AUTO

Icon description

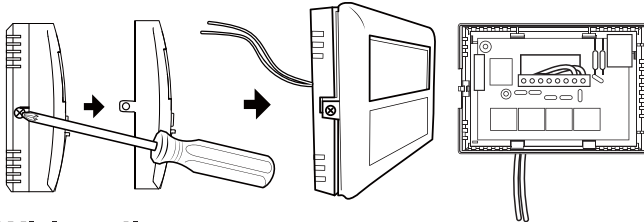
	System Fan is ON
	Fan 3-speed indicator, Low/Med/High Level.
	Battery power indicator.
	Means the system is in heat mode
	Means the system is in heating status.
	Means the system is in heat mode
	Means the system is in cooling status.
	Means the system is in manual setting mode.
	Means the system is running at eco-friendly temperature setpoint(Heating Temp setpoint ≤ 16°C, Cooling Temp setpoint ≥ 27°C)

Installation

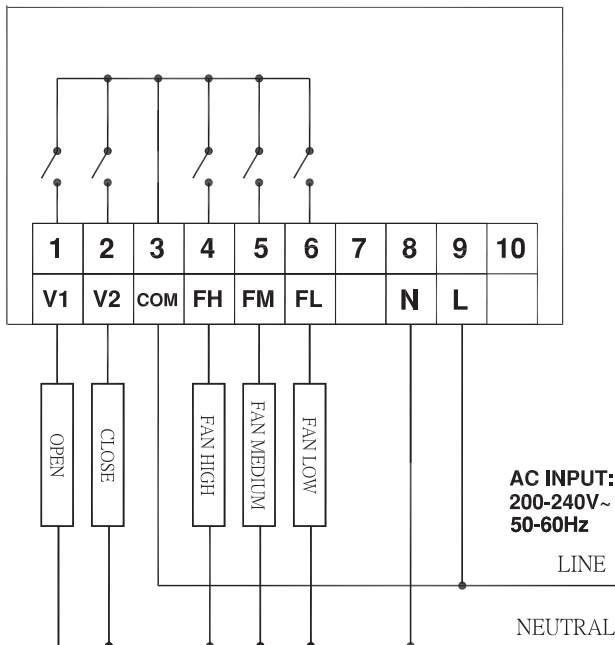
To open the front housing of thermostat and complete wiring by a Phillips screwdriver complies with below procedure.

1. Slacken screw on the left side of thermostat.

2. Connect all wires to connectors through slot located on the back cover in accordance with the instructions as proposed below diagrams.
3. Fix the back cover to the wall with the screws and anchors.
4. Replace the front housing back into the thermostat.
5. Tighten the screw on the left side of the thermostat.



Wiring diagram



Contact Rating: μ 5(3)A/250~

Note

Wiring connected by 12AWG copper wires rated at 75°C or greater. To use the provided wire terminal connects all ground connect for power supply, fan, pump, purge pump and cooler cabinet. All process of installation must meet Local and National codes.

Caution

- Before start processing any work on the electrical connections. You must disconnect the device first from the mains. None of the electrical connections must be made until the installation has been completed and the housing is closed. Only qualified electricians or authorized service staffs are permitted to open the terminal box.

- There are parts that carry mains voltage behind the cover. The terminal box must not be left unsupervised when open. (Prevent non-specialists and especially children from gaining access to it.)
- HIGH VOLTAGE-DISCONNECT BEFORE SERVICING. PROVIDE DISCONNECT MEANS AND OVERLOAD PROTECTION AS REQUIRED BY THE NATIONAL ELECTRICAL CODE. THE DISCONNECT SHALL ISOLATE CIRCUITS FROM THE SUPPLY. POWER SUPPLY TO BE OVER CURRENT PROTECTED ACCORDING TO NATIONAL ELECTRIC CODE. MAXIMUM TIGHTENING TORQUE OF TERMINALS 4 INCH-LB. REPLACE FUSE WITH SLOW ACTING TYPE SGC RATED 250V 3.15A OR EQUIVALENT.

Operating Instruction

1. Three Present Mode

- There are three preset temperature modes on the control panel (🏠🏠🏠)
- Select one key (mode) which you want to preset the temperature
- Press Δ or ∇ to set the preset value
- Press the mode button (🏠🏠🏠) to save it immediately or wait 3 seconds to save it automatically

2. Manual Setting

- Press Δ or ∇ and the LCD will show a flashing temperature with "Set Temp" symbol
- Proceed Δ and ∇ press either the to set a desired temperature. The

by per step and press ∇ will

- When completed setting of desired temperature, please wait for 3 seconds until the LCD stops flashing and the thermostat starts to operate

3. Speed Fan and Auto mode

- Press to enter Fan Auto/ON mode
- The system will enter the FAN AUTO -> FAN ONLOW->> FAN ON MID ->>>FAN ON HI -> FAN AUTO by pressing alternately
- FAN AUTO mode means the system will automatically select different speed of fan according to the temperature differential

- FAN ON LOW mode means select the fan works with low speed, FAN ON MID mode mean select the fan works with middle speed and FAN ON HI mode mean select the fan works with high speed.

4. System Switch Mode

- Press to enter System Switch mode
- The system will enter the HEAT ->> COOL-mode by pressing alternately
- The HEAT mode means system enter heating setting mode, the LCD will show
- The COOL mode means system enter cooling setting mode, the LCD will show

5. Advance Setting (Temperature calibration)

- Press and hold $\Delta+$ and $\nabla-$ keys at the same time for 5 seconds to enter Advance Setting
- You will see -0.0°C on the screen. If so, you are in “Temperature Calibration” setting
- Pressing $\Delta+$ to tune the calibration value. You may tune this up to -9.0°C
- Wait for 3 Seconds and the Temperature Calibration value will save automatically and the screen will return to normal operation.

6. Differential Setting

- Press and hold $\Delta+$ and $\nabla-$ keys at the same time for 5 seconds to enter Advance Setting.
- When you see the first screen, this should be the temperature calibration screen. Immediately press to access the Differential Setting.
- To check that you can see 0.4°C on screen.
- Press $\Delta+$ or $\nabla-$ key to change value (0.2°C/ 0.4°C/ 0.6°C/ 0.8°C/1°C, the default value is 0.4°C)
- Wait for 3 seconds and the Temperature Calibration value will be saved automatically and the screen will return to normal operation

7. Standby mode and Frost Protection function

- Press will enter “Stand-by” mode
- When the system is under “heat” program, running stand-by mode will trigger HEAT ON and maintain the room temperature at 5°C (41°F) if the room temperature drops less than 5°C (41°F). The system will turn off automatically when room temperature is more than 5°C (41°F).
- When the system is at the “Cool” program, “Stand-by” mode does not offer Frost protection below 5°C (41°F).

- Press the key again will disable the “Stand-by” mode and return to normal mode.

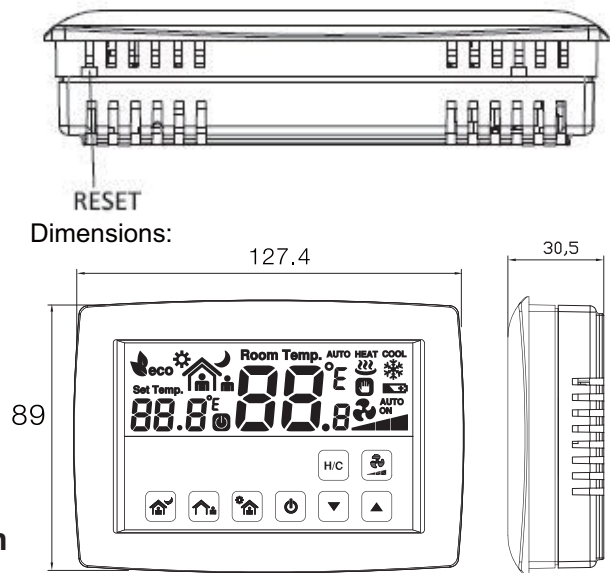
8. Override function

Override function is to override the current program’s temperature settings and maintain it until next program schedule starts.

- Under normal program mode, press $\nabla-$ or $\Delta+$ key to change the temperature setting of the current program
- The LCD will show the icon if the manual override setting is different from the exist ing program setting
- The system will automatically run the new setting after 3 seconds
- Press any Preset Temperature () to cancel the Temporary Override function and returns to normal operation

Reset Function:

You can re-boot the system by pressing the key at the back side of the housing.



Contact us: www.hvacpartco.com